



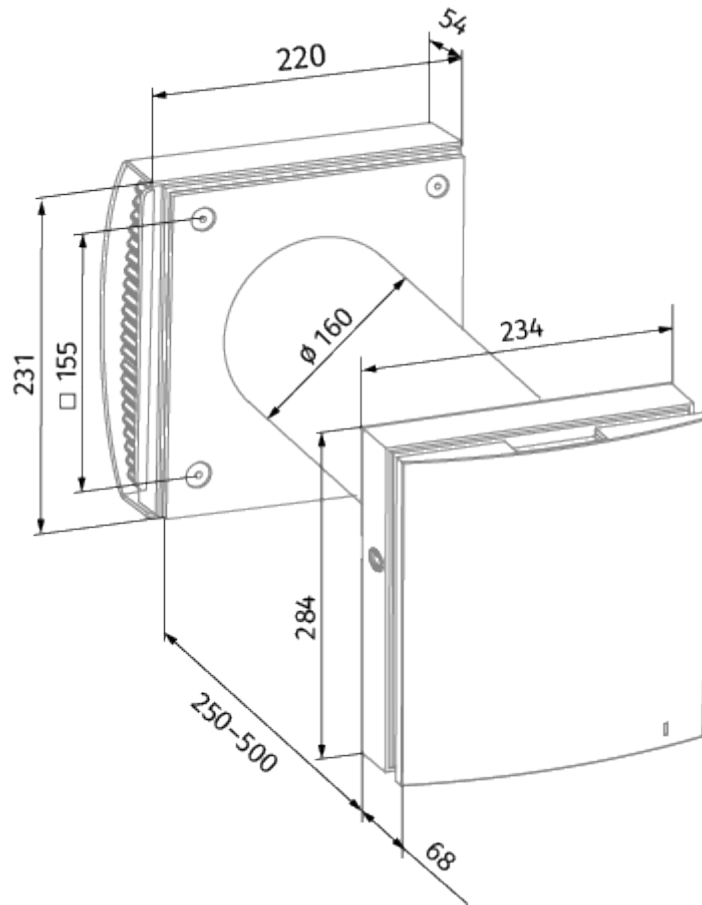
Vento Expert A50-1 S10 Pro

Heat recovery single-room units

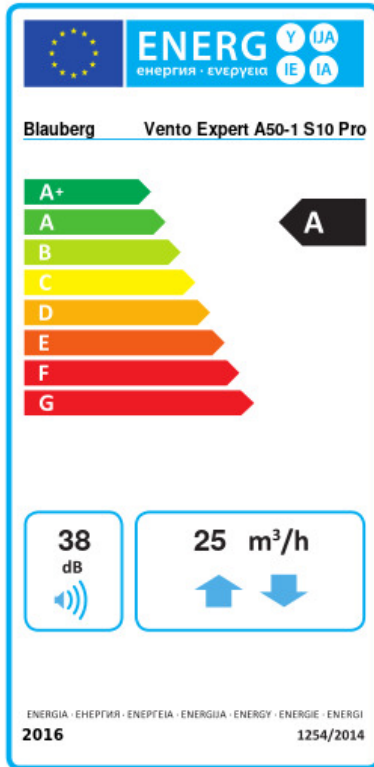
- Air flow in heat recovery mode: 25
- Sound pressure level LpA at 3 m: 21
- Sound pressure level LpA at 1 m: 30
- Heat exchanger type: Reversible
- Filter: G3 (Option: F8 PM2,5 > 99 %*)
- Sound insulation
- Motor type: EC
- Enthalpy heat exchanger
- Control: Remote Control
- Casing material: Plastic
- Humidity sensor

	Unit of measurement	Vento Expert A50-1 S10 Pro		
Speed	-	3		
Phases	-	1		
Minimum supply voltage	V	100		
Maximum supply voltage	V	240		
Power supply frequency	Hz	50/60		
Rated power	W	3.61	4.15	5.2
Unit current	A	0.025	0.03	0.039
Air flow in ventilation mode	m ³ /h	15	30	50
Air flow in heat recovery mode	m ³ /h	8	15	25
rotation speed at 50hz	-	800	1300	1900
Sound pressure level LpA at 3 m	dB(A)	11	18	21
Sound pressure level LpA at 1 m	dB(A)	20	27	30
Heat recovery efficiency, max	%	93		
Heat exchanger type	-	Reversible		
Heat exchanger material	-	Ceramic		
Filter	-	G3 (Option: F8 PM2,5 > 99 %*)		
Transported air temperature (max)	°C	40		
Transported air temperature (min)	°C	-20		
Ingress protection rating	-	IP24		

Dimensions



Ecodesign



Trademark	Blauberg					
Model	Vento Expert A50-1 S10 Pro					
Specific energy consumption (SEC) (kWh/(m ² /a))	Cold		Average		Warm	
	80.6	A+	38.8	A	14.8	E
Type of ventilation unit	Bidirectional					
Type of drive installed	3-speed					
Type of heat recovery system	Regenerative					
Thermal efficiency of heat recovery (%)	77					
Maximum flow rate (m ³ /h)	25					
Electric power input (W)	5.2					
Reference flow rate (m ³ /s)	0.004					
Specific power input (SPI) (W/(m ³ /h))	0.277					
Control typology	Local demand control					
Maximum internal leakage rates (%)	2.7					
Mixing rate (%)	1					
Airflow sensitivity at +20 Pa and -20 Pa (%)	0.4					
The indoor/outdoor air tightness (m ³ /h)	0.5					
Sound power level (dB(A))	38					
Declared typology	RVU BVU					
The annual electricity consumption (AEC) (kWh/a)	Cold		Average		Warm	
	200		200		200	
The annual heating saved (AHS) (kWh/a)	Cold		Average		Warm	
	8562		4377		1979	