

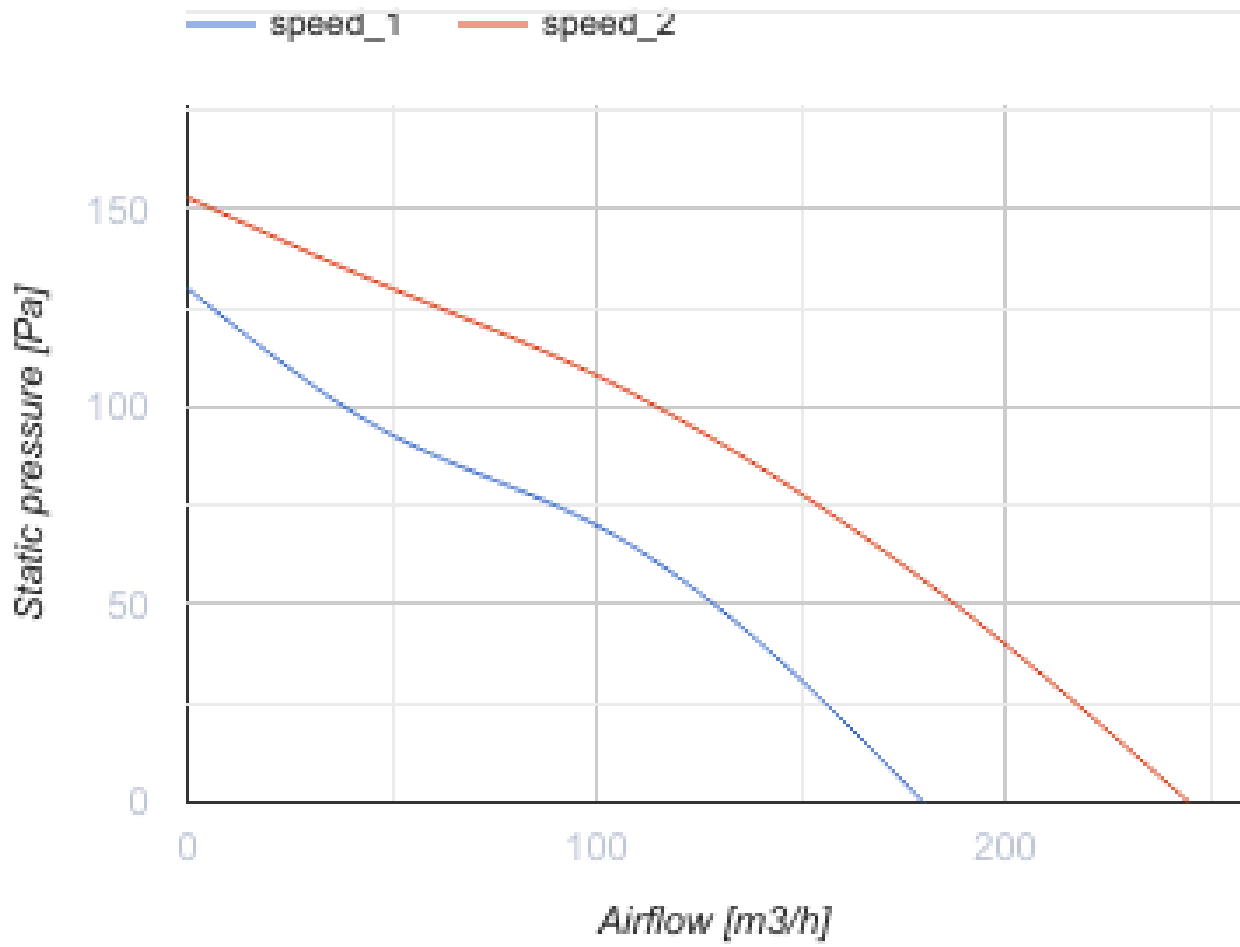
Turbo 100

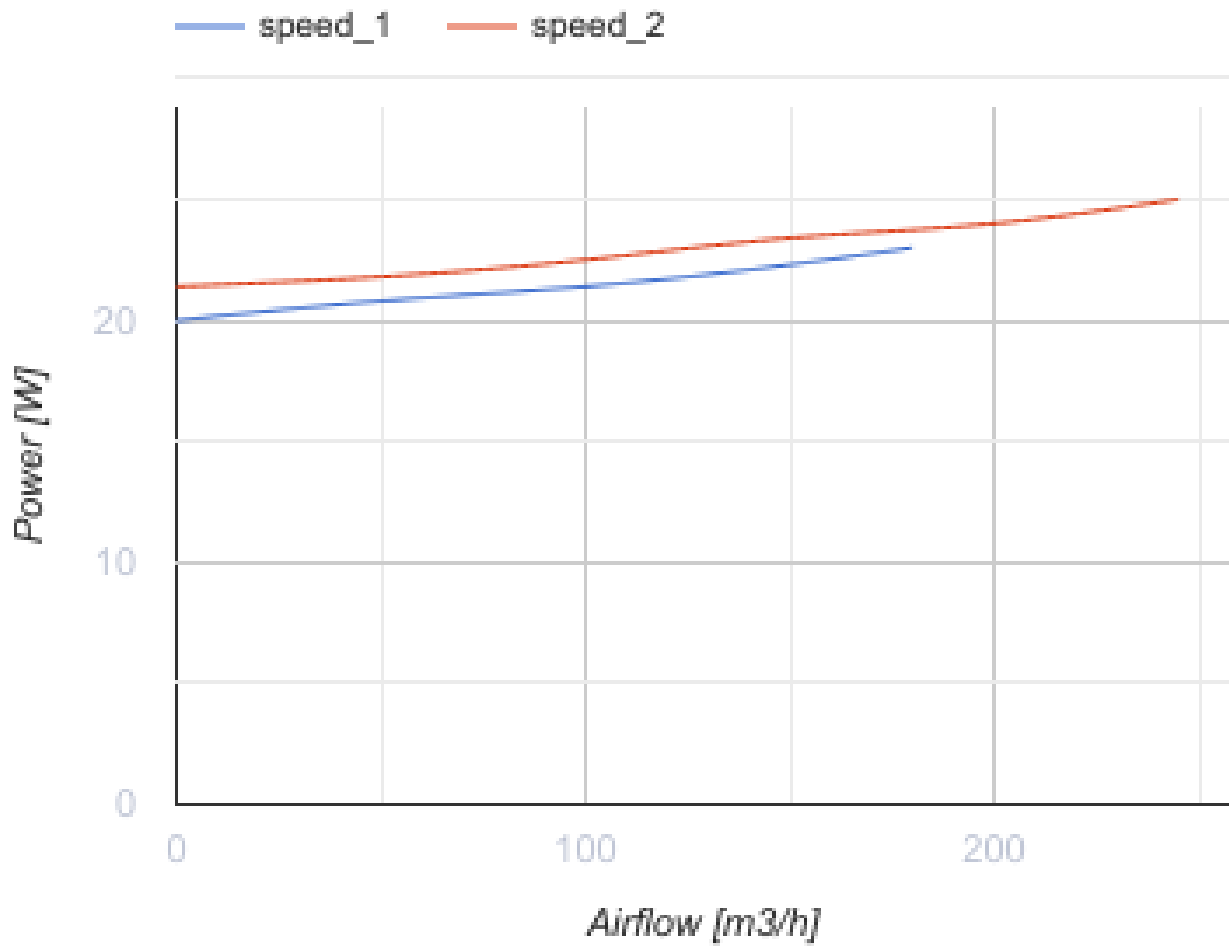
Inline mixed flow fans



- Maximum airflow: 245
- Sound pressure level LpA at 3 m: 32
- Motor type: AC
- Control: Speed switch
- Impeller type: Mixed-flow
- Casing material: Polypropylene/Thermoplastic elastomer
- Installation in any position
- Cable with mains plug

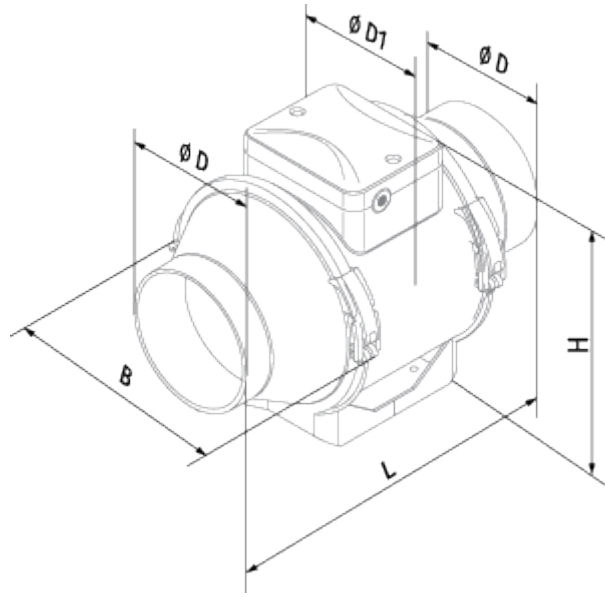
| | Unit of measurement | Turbo 100 | |
|--|---------------------|-----------|------|
| Connected air duct size | mm | 100 | |
| Speed | - | 2 | |
| Phases | - | 1 | |
| Minimum supply voltage | V | 230 | |
| Maximum supply voltage | V | 230 | |
| Power supply frequency | Hz | 50/60 | |
| Rated power | W | 23 | 25 |
| Unit current | A | 0.10 | 0.11 |
| Maximum airflow | m ³ /h | 180 | 245 |
| rotation speed at 50hz | - | | |
| Sound pressure level LpA at 3 m | dB(A) | 27 | 32 |
| Weight | kg | 1.75 | |
| Transported air temperature (max) | °C | 60 | |
| Ambient air temperature min | °C | 0 | |
| Ambient air temperature max | °C | 0 | |
| Ingress protection rating | - | IPX4 | |
| Ingress protection rating of the drive | - | IPX4 | |



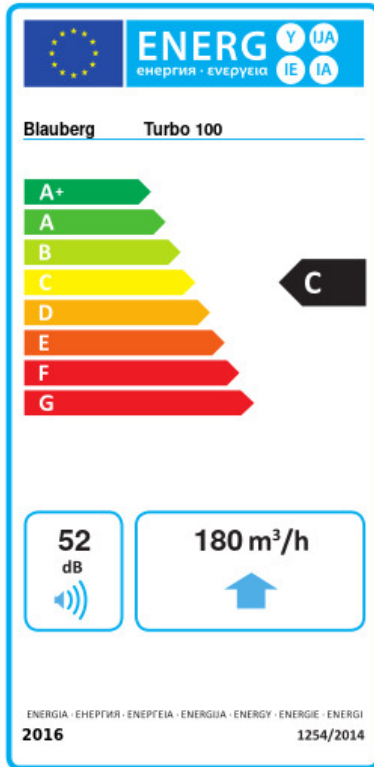


Dimensions

| ØD | ØD1 | B | H | L |
|----|-----|-----|-----|-----|
| 96 | 164 | 167 | 190 | 246 |



Ecodesign



| | | | | | | |
|---|----------------------|----|---------|---|------|---|
| Trademark | Blauberg | | | | | |
| Model | Turbo 100 | | | | | |
| Specific energy consumption (SEC) (kWh/(m ² /a)) | Cold | | Average | | Warm | |
| | 52.9 | A+ | 25.9 | C | 10.4 | E |
| Type of ventilation unit | Unidirectional | | | | | |
| Type of drive installed | Variable speed | | | | | |
| Type of heat recovery system | None | | | | | |
| Maximum flow rate (m ³ /h) | 180 | | | | | |
| Electric power input (W) | 25 | | | | | |
| Reference flow rate (m ³ /s) | 0.035 | | | | | |
| Reference pressure difference (Pa) | 50 | | | | | |
| Specific power input (SPI) (W/(m ³ /h)) | 0.183 | | | | | |
| Control typology | Local demand control | | | | | |
| Maximum external leakage rates (%) | 2.7 | | | | | |
| Sound power level (dB(A)) | 52 | | | | | |
| Declared typology | RVU UVU | | | | | |
| The annual electricity consumption (AEC) (kWh/a) | Cold | | Average | | Warm | |
| | 97 | | 97 | | 97 | |
| The annual heating saved (AHS) (kWh/a) | Cold | | Average | | Warm | |
| | 5536 | | 2830 | | 1280 | |