



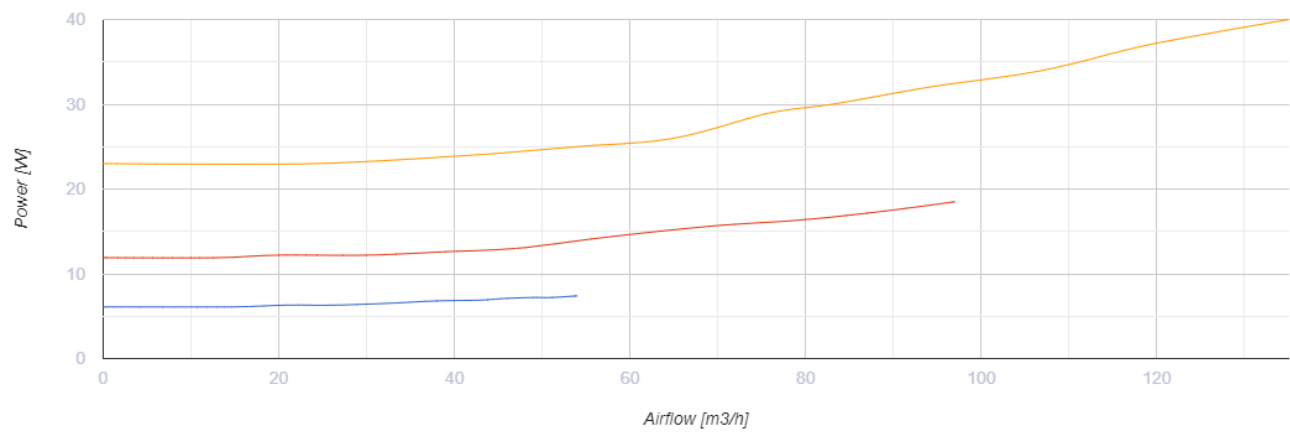
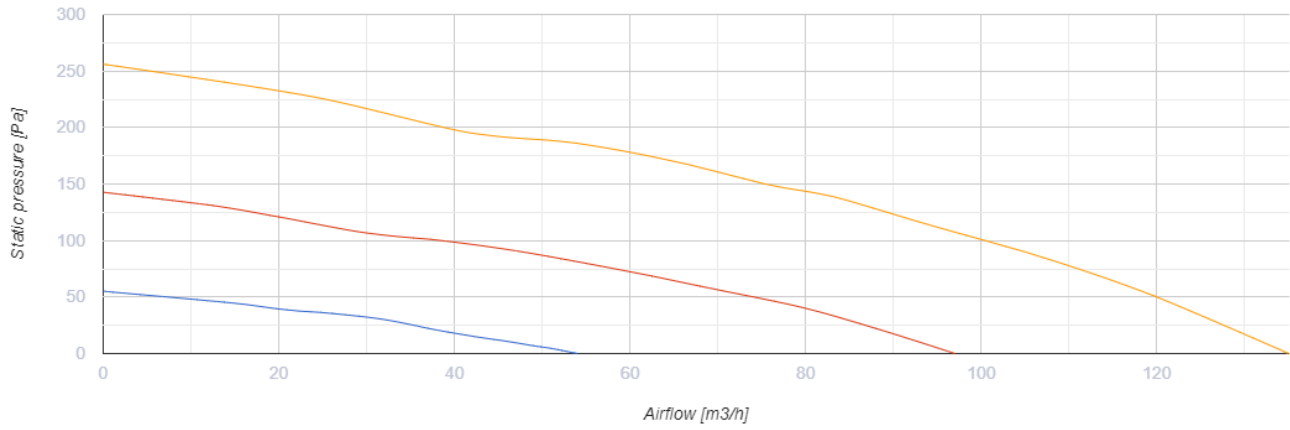
Reneo-Fit D 100-E S14

Suspended heat and energy recovery air handling units

- Maximum airflow: 130
- Sound pressure level LpA at 3 m: 32
- Heat exchanger type: Counter flow
- Extract filter: G4 / Coarse > 60 %
- Supply filter: G4 / Coarse > 60 % (optional: F7 / ePM1 60 %)
- Sound insulation
- Motor type: EC
- Enthalpy heat exchanger
- Control: Wired control panel
- Casing material: EPP
- Humidity sensor: Optional
- CO2 sensor: Optional

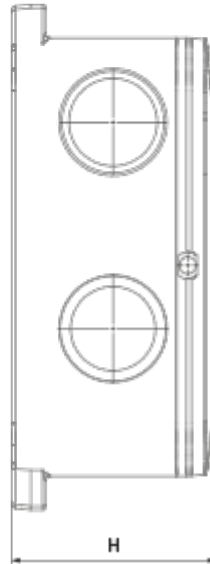
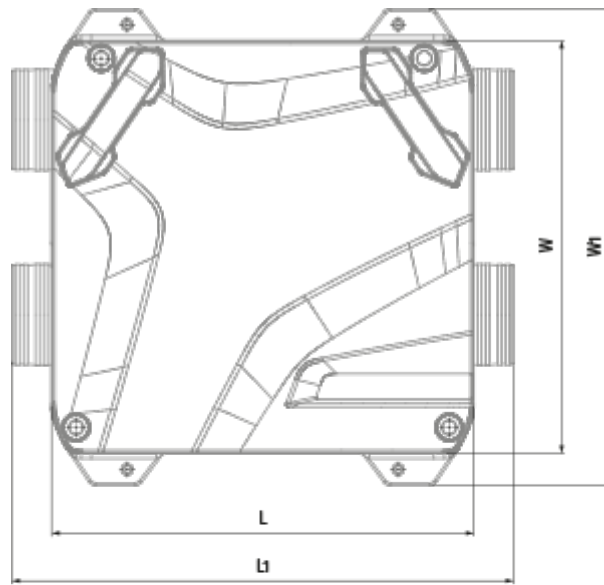
| | Unit of measurement | Reneo-Fit D 100-E S14 |
|-----------------------------------|---------------------|---|
| Connected air duct size | mm | 100/125 |
| Speed | - | 1 |
| Phases | - | 1 |
| Minimum supply voltage | V | 230 |
| Maximum supply voltage | V | 230 |
| Power supply frequency | Hz | 50/60 |
| Rated power | W | 45 |
| Unit current | A | 0.34 |
| Maximum airflow | m ³ /h | 130 |
| Sound pressure level LpA at 3 m | dB(A) | 32 |
| Heat recovery efficiency, max | % | 88 |
| Heat exchanger type | - | Counter flow |
| Heat exchanger material | - | Enthalpy |
| Weight | kg | 8 |
| Extract filter | - | G4 / Coarse > 60 % |
| Supply filter | - | G4 / Coarse > 60 % (optional: F7 / ePM1 60 %) |
| Transported air temperature (max) | °C | 40 |
| Transported air temperature (min) | °C | -23 |
| Ambient air temperature min | °C | 1 |
| Ambient air temperature max | °C | 40 |
| Ambient air humidity max | % | 60 |

| | | |
|--|---|------|
| Ingress protection rating | - | IP22 |
| Ingress protection rating of the drive | - | IP44 |

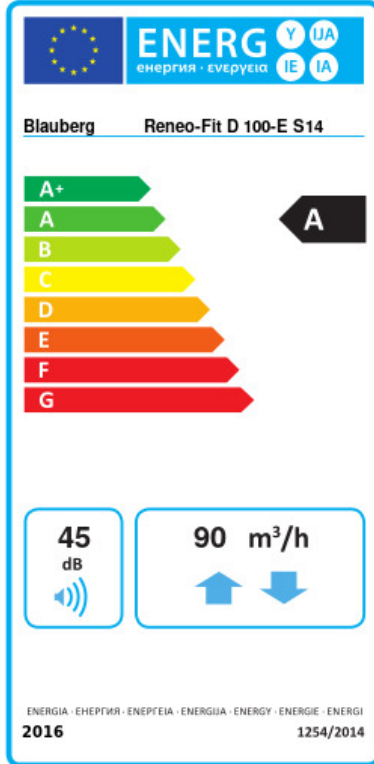


Dimensions

| H | L | L1 | W | W1 |
|-----|-----|-----|-----|-----|
| 242 | 530 | 630 | 520 | 600 |



Ecodesign



| | | | | | | |
|--|-----------------------|----|---------|---|-------|---|
| Trademark | Blauberg | | | | | |
| Model | Reneo-Fit D 100-E S14 | | | | | |
| Specific energy consumption (SEC) (kWh/(m²/a)) | Cold | | Average | | Warm | |
| | 78.6 | A+ | 41.1 | A | 16.9 | E |
| Type of ventilation unit | Bidirectional | | | | | |
| Type of drive installed | Variable speed | | | | | |
| Type of heat recovery system | Recuperative | | | | | |
| Thermal efficiency of heat recovery (%) | 80 | | | | | |
| Maximum flow rate (m³/h) | 90 | | | | | |
| Electric power input (W) | 37 | | | | | |
| Reference flow rate (m³/s) | 0.018 | | | | | |
| Reference pressure difference (Pa) | 50 | | | | | |
| Specific power input (SPI) (W/(m³/h)) | 0.254 | | | | | |
| Control typology | Local demand control | | | | | |
| Maximum internal leakage rates (%) | 2.8 | | | | | |
| Maximum external leakage rates (%) | 3 | | | | | |
| Sound power level (dB(A)) | 45 | | | | | |
| Declared typology | RVU BVU | | | | | |
| The annual electricity consumption (AEC) (kWh/a) | Cold | | Average | | Warm | |
| | 716.4 | | 179.4 | | 134.4 | |
| The annual heating saved (AHS) (kWh/a) | Cold | | Average | | Warm | |
| | 8776 | | 4486 | | 2029 | |