



## Auto 150

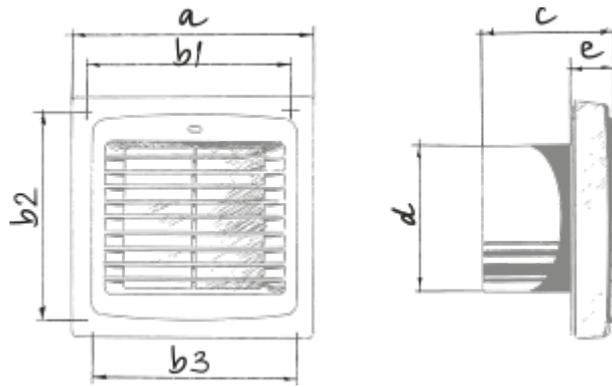
Exhaust fans with air shutters

- Maximum airflow: 295
- Sound pressure level LpA at 3 m: 39
- Motor type: AC

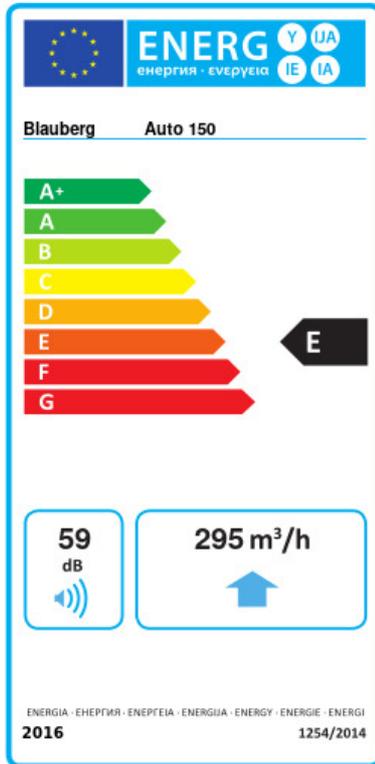
	Unit of measurement	Auto 150
Connected air duct size	mm	150
Speed	-	1
Minimum supply voltage	V	220
Maximum supply voltage	V	240
Power supply frequency	Hz	50
Unit current	A	0.13
Maximum airflow	m <sup>3</sup> /h	295
Sound pressure level LpA at 3 m	dB(A)	39
Ingress protection rating	-	IP24

### Dimensions

a	b1	b2	b3	c	Ø d	e
210	150	195	196	115	150	34



## Ecodesign



Trademark	Blaubeerg					
Model	Auto 150					
Specific energy consumption (SEC) (kWh/(m <sup>2</sup> /a))	Cold		Average		Warm	
	-32	B	-15	E	-6	F
Type of ventilation unit	Unidirectional					
Type of drive installed	Multi-speed					
Type of heat recovery system	None					
Maximum flow rate (m <sup>3</sup> /h)	295					
Electric power input (W)	26					
Reference flow rate (m <sup>3</sup> /s)	0.057					
Specific power input (SPI) (W/(m <sup>3</sup> /h))	0.057					
Control typology	Manual control					
Maximum external leakage rates (%)	2.7					
Sound power level (dB(A))	59					
Declared typology	RVU UVU					
The annual electricity consumption (AEC) (kWh/a)	Cold		Average		Warm	
	100		100		100	
The annual heating saved (AHS) (kWh/a)	Cold		Average		Warm	
	3400		1700		800	