



## Aero 100 T

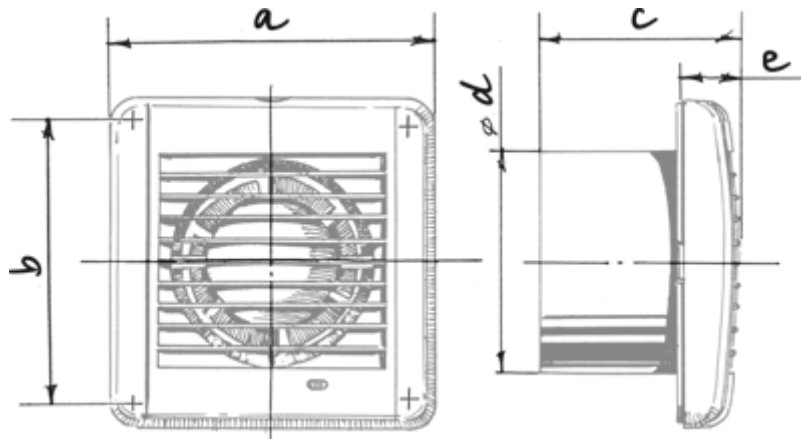
Low-noise axial fan for exhaust ventilation

- Sound pressure level LpA at 3 m: 38
- Casing material: Plastic
- Backdraft protection: Backdraft damper

	Unit of measurement	Aero 100 T
Connected air duct size	mm	100
Minimum supply voltage	V	220
Maximum supply voltage	V	240
Power supply frequency	Hz	50
Rated power	W	14
Unit current	A	0.085
Maximum airflow	m <sup>3</sup> /h	102
Sound pressure level LpA at 3 m	dB(A)	38
Ingress protection rating	-	IP34
Impeller material	-	Plastic
Article	-	8001802

### Dimensions

a	b	c	∅ d	e
144	122	92.5	100	29.5



## Ecodesign

Trademark	Blauberg					
Model	Aero 100 T					
Specific energy consumption (SEC) (kWh/(m <sup>2</sup> /a))	Cold		Average		Warm	
	-34.1	B, A	-16.2	E	-5.9	F
Type of ventilation unit	Unidirectional					
Type of drive installed	Single speed			Multi-speed		
Type of heat recovery system	None					
Maximum flow rate (m <sup>3</sup> /h)	102					
Electric power input (W)	14					
Reference flow rate (m <sup>3</sup> /s)	0.02					
Specific power input (SPI) (W/(m <sup>3</sup> /h))	0.088					
Control typology	Clock control					
Maximum external leakage rates (%)	2.7					
Declared typology	RVU UVU					
Sound power level (dB(A))	58					
The annual electricity consumption (AEC) (kWh/a)	Cold	Average		Warm		
	102	102		102		
The annual heating saved (AHS) (kWh/a)	Cold	Average		Warm		
	3667	1874		848		