

Turbo

Inline mixed flow fans

Use

- Supply and extraction ventilation of offices, bathrooms, toilets, laundries, kitchens, ensembles in apartments, hotels, homes and commercial buildings.
- Ventilation air ducts requiring high pressure, powerful air flow and low noise level.
- Compatible with Ø 100 up to 315 mm round air ducts.



Air flow:
up to 1750 m³/h
486 l/s



Power:
from 21 W



Noise level:
from 33 dBA



Design

- The casing is made of low flammable polypropylene.
- Ventilation unit with terminal box. Can be turned to any position.
- Special design of the casing permits easy dismantling of the impeller and motor block for fan servicing without dismantling the air duct.

Motor

- 220–240 V single phase at 50 Hz.
- All motors have a sealed ball bearing motor with a service life of up to 40,000 hours, are 2 speed with an exterior two speed switch.
- All motors have manual reset thermal overload protection as required for inline duct fans AS/NZS60335-2-80:2004.
- 100 mm & 125 mm fans cannot be speed controlled.

Wiring

- Comes with a 1.2 m lead, 2 pin plug and external two speed switching.
- Timer fans come with a 1.2 m lead, 4 pin plug and external two speed switching.

Mounting

- Due to the compact design the fan is the ideal solution for mounting in limited spaces, including space behind a false ceiling.
- The fan can be installed in any section of the ventilation system from intake to the end of the ductworks.
- Wall or ceiling mounting with a mounting plate.
- TD:** mounting kit for installation of one diameter fans in parallel (for boosting capacity)



- TL:** mounting kit for installation of one diameter fans in series (for boosting pressure).



Accessories

Filter box

Speed controller

Grilles and cowls

Ducting

Low profile ducting

Backdraft damper

Fire damper



Modifications

- o **T:** turn-off delay timer adjustable from 2 to 30 minutes.
- o **G:** speed controller, temperature controller with external temperature sensor (cable length 4 m), power cable with Australian plug.



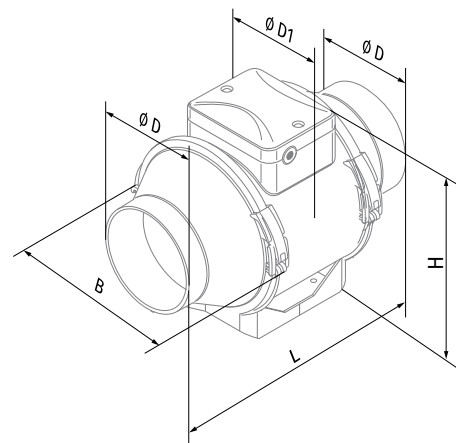
Designation key		
Series	Duct diameter [mm]	Modifications
Turbo	100; 125; 150; 200; 250; 315	T: turn-off delay timer adjustable from 2 to 30 minutes G: speed controller, temperature controller with external temperature sensor, power cable with Australian plug

Ordering Information

Part Number	Model	Description
BLATURBO100	Turbo 100	MIXFLO 100 mm 2 SPEED FAN
BLATURBO125	Turbo 125	MIXFLO 125 mm 2 SPEED FAN
BLATURBO150	Turbo 150	MIXFLO 150 mm 2 SPEED FAN
BLATURBO200	Turbo 200	MIXFLO 200 mm 2 SPEED FAN
BLATURBO250	Turbo 250	MIXFLO 250 mm 2 SPEED FAN
BLATURBO315	Turbo 315	MIXFLO 315 mm 2 SPEED FAN
BLATURBO150T	Turbo 150 T	MIXFLO 150 mm 2 SPEED FAN C/W RUN ON TIMER & 4 PIN PLUG
BLATURBO200T	Turbo 200 T	MIXFLO 200 mm 2 SPEED FAN C/W RUN ON TIMER & 4 PIN PLUG
BLATURBO150 G	Turbo 150 G	MIXFLO 150mm C/W SPEED CONTROLLER, EXTERNAL TEMP SENSOR
BLATURBO200 G	Turbo 200 G	MIXFLO 200mm C/W SPEED CONTROLLER, EXTERNAL TEMP SENSOR
BLATURBO250 G	Turbo 250 G	MIXFLO 250mm C/W SPEED CONTROLLER, EXTERNAL TEMP SENSOR
BLATURBO350 G	Turbo 350 G	MIXFLO 315mm C/W SPEED CONTROLLER, EXTERNAL TEMP SENSOR

Overall Dimensions [mm]

Model	Ø D	Ø D1	B	H	L	Weight [kg]
Turbo 100	96	164	167	190	246	1.45
Turbo 125	123	164	167	190	246	1.79
Turbo 150	148	187	220	251	289	3.18
Turbo 200	199	209	239	261	295.5	3.8
Turbo 250	247	257	287	323	383	7.83
Turbo 315	310	323	362	408	445	11.7

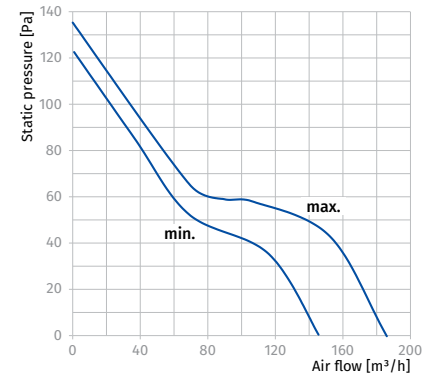


Technical Data

Parameters	Turbo 100		Turbo 125		Turbo 150	
Speed	min	max	min	max	min	max
Voltage [V]	1 ~ 230	1 ~ 230	1 ~ 230	1 ~ 230	1 ~ 230	1 ~ 230
Frequency [Hz]	50/60	50/60	50/60	50/60	50/60	50/60
Power [W]	21	33	23	37	42	50
Current [A]	0.11	0.21	0.18	0.27	0.19	0.22
Maximum air flow [m ³ /h (l/s)]	145 (40)	187 (52)	220 (61)	280 (78)	430 (119)	560 (156)
RPM [min ⁻¹]	2180	2385	1950	2455	1940	2620
Sound pressure level at 3 m [dBA]	33	38	34	39	37	41
Max. transported air temperature [°C]	+60		+60		+60	
SEC class	C		B		B	
IP rating	IPX4		IPX4		IPX4	
Motor IP rating	IPX4		IPX4		IPX4	
ErP	-		-		2018	

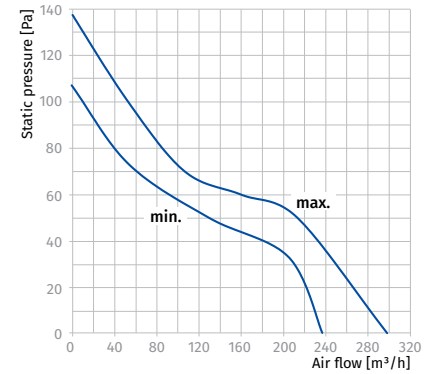
TURBO 100

Sound power level, A-weighted	Total	Octave frequency bands [Hz]								LpA 3 m	LpA 1 m
		63	125	250	500	1000	2000	4000	8000		
Min speed											
L _{WA} to inlet [dBA]	54	19	35	50	49	44	37	25	17	33	43
L _{WA} to outlet [dBA]	53	17	34	50	49	48	36	24	17	32	42
L _{WA} to env. [dBA]	47	14	29	43	43	39	33	22	15	27	37
Max speed											
L _{WA} to inlet [dBA]	59	24	34	53	54	53	48	37	26	38	48
L _{WA} to outlet [dBA]	57	23	33	52	52	52	47	37	26	37	47
L _{WA} to env. [dBA]	52	18	29	46	48	47	43	33	23	32	42



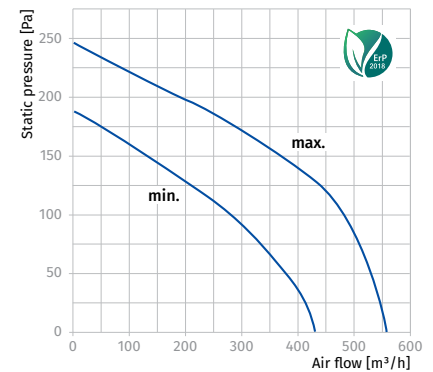
TURBO 125

Sound power level, A-weighted	Total	Octave frequency bands [Hz]								LpA 3 m	LpA 1 m
		63	125	250	500	1000	2000	4000	8000		
Min speed											
L _{WA} to inlet [dBA]	54	26	38	52	50	44	38	27	17	34	44
L _{WA} to outlet [dBA]	54	25	37	51	49	43	38	28	18	33	43
L _{WA} to env. [dBA]	49	21	32	46	45	40	35	25	16	29	39
Max speed											
L _{WA} to inlet [dBA]	60	20	31	57	51	51	50	39	27	39	49
L _{WA} to outlet [dBA]	59	20	31	56	51	51	49	39	26	38	48
L _{WA} to env. [dBA]	54	16	27	51	46	47	45	36	24	34	44



TURBO 150

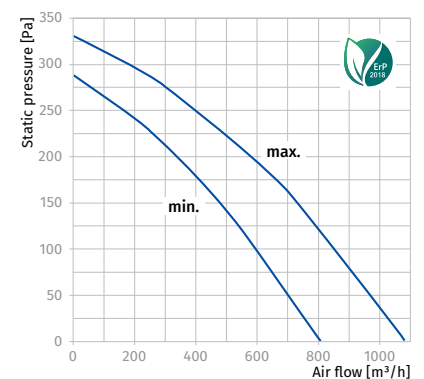
Sound power level, A-weighted	Total	Octave frequency bands [Hz]								LpA 3 m	LpA 1 m
		63	125	250	500	1000	2000	4000	8000		
Min speed											
L _{WA} to inlet [dBA]	58	27	35	45	52	53	53	46	36	37	48
L _{WA} to outlet [dBA]	63	37	49	56	56	60	48	39	30	42	52
L _{WA} to env. [dBA]	52	21	30	48	48	45	42	34	23	32	42
Max speed											
L _{WA} to inlet [dBA]	62	35	44	55	61	61	62	54	42	41	58
L _{WA} to outlet [dBA]	72	42	55	66	67	68	65	53	45	52	62
L _{WA} to env. [dBA]	65	23	37	56	59	57	61	47	35	44	54



Parameters	Turbo 200		Turbo 250		Turbo 315	
Speed	min	max	min	max	min	max
Voltage [V]	1 ~ 230		1 ~ 230		1 ~ 230	
Frequency [Hz]	50/60		50/60		50/60	
Power [W]	76	108	125	177	227	315
Current [A]	0.34	0.48	0.54	0.79	0.99	1.42
Maximum air flow [m³/h (l/s)]	805 (224)	1080 (300)	1070 (297)	1360 (378)	1420 (394)	1750 (486)
RPM [min⁻¹]	1915	2380	1955	2440	2115	2505
Sound pressure level at 3 m [dBA]	41	46	52	58	52	60
Max. transported air temperature [°C]	+60		+60		+60	
SEC class	B		-		-	
IP rating	IPX4		IPX4		IPX4	
Motor IP rating	IPX4		IPX4		IPX4	
ErP	2018		2018		2018	

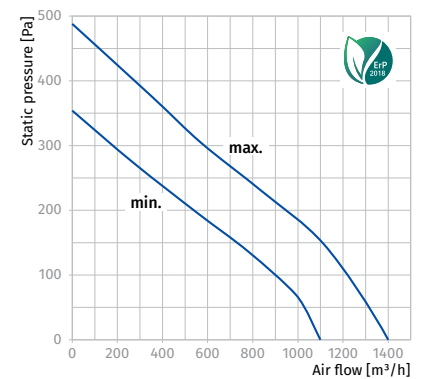
TURBO 200

Sound power level, A-weighted	Total	Octave frequency bands [Hz]								LpA 3 m	LpA 1 m
		63	125	250	500	1000	2000	4000	8000		
Min speed											
LWA to inlet [dBA]	61	32	40	50	55	56	56	49	38	41	55
LWA to outlet [dBA]	64	40	50	54	58	59	57	51	44	43	53
LWA to env. [dBA]	60	27	42	49	54	55	54	46	34	39	49
Max speed											
LWA to inlet [dBA]	67	35	44	55	61	61	62	54	42	46	60
LWA to outlet [dBA]	70	43	52	61	66	64	63	58	51	50	60
LWA to env. [dBA]	65	34	43	54	60	60	60	53	41	45	55



TURBO 250

Sound power level, A-weighted	Total	Octave frequency bands [Hz]								LpA 3 m	LpA 1 m
		63	125	250	500	1000	2000	4000	8000		
Min speed											
LWA to inlet [dBA]	72	48	57	63	66	69	64	54	45	52	62
LWA to outlet [dBA]	75	48	56	64	70	71	66	56	45	54	64
LWA to env. [dBA]	65	32	51	57	61	59	56	45	32	44	54
Max speed											
LWA to inlet [dBA]	78	52	62	66	71	75	72	62	52	58	68
LWA to outlet [dBA]	81	52	60	66	76	77	74	63	52	60	70
LWA to env. [dBA]	72	35	50	63	69	66	63	53	40	51	61



TURBO 315

Sound power level, A-weighted	Total	Octave frequency bands [Hz]								LpA 3 m	LpA 1 m
		63	125	250	500	1000	2000	4000	8000		
Min speed											
LWA to inlet [dBA]	72	43	54	62	67	66	67	58	47	52	62
LWA to outlet [dBA]	70	45	57	59	64	66	63	56	46	50	60
LWA to env. [dBA]	62	28	51	53	57	57	54	46	36	41	51
Max speed											
LWA to inlet [dBA]	80	50	59	68	73	77	74	70	59	60	70
LWA to outlet [dBA]	78	51	60	66	70	75	71	66	57	58	68
LWA to env. [dBA]	72	37	51	66	66	67	65	58	48	52	62

