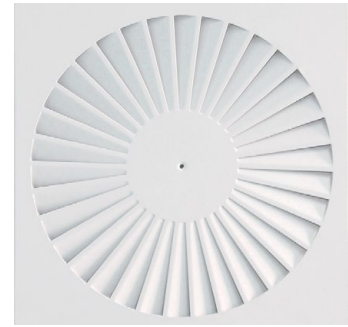


Swirl Diffusers

Fixed Blade Swirl Diffusers



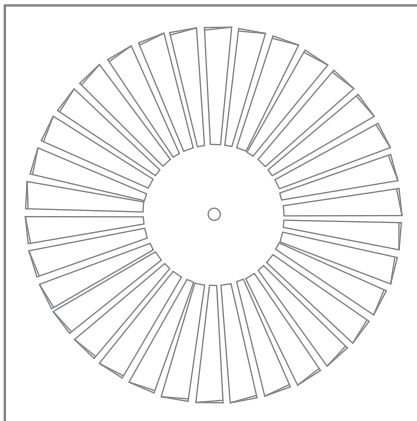
Features

- Increasingly stringent requirements from the standpoint of technical features (higher supply flow rates and lower velocities in the occupant area) and aesthetics (smoother incorporation in the interior design) have generally made swirl diffusers a better choice for air diffusion.
- The recommended mounting height is around 2.5 to 4.0 m for all models. All these units can be used in VAV systems, allowing the flow rate to be reduced up to 25% of the nominal air flow rate without producing uncomfortable air currents in the facility.

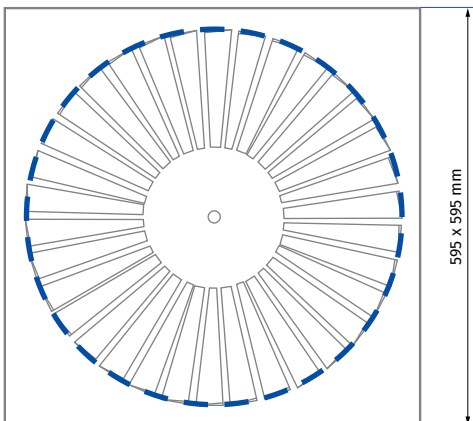
Design

- Powder coated white as standard
- A high quality diffuser to generate airflow according to the principle of turbulent mixed airflow
- Low sound power level and pressure loss
- Installation for prefabricated ceiling or surface mounted for closed false ceilings
- No. of Blade — 34
- Grilles are powder coated white as standard

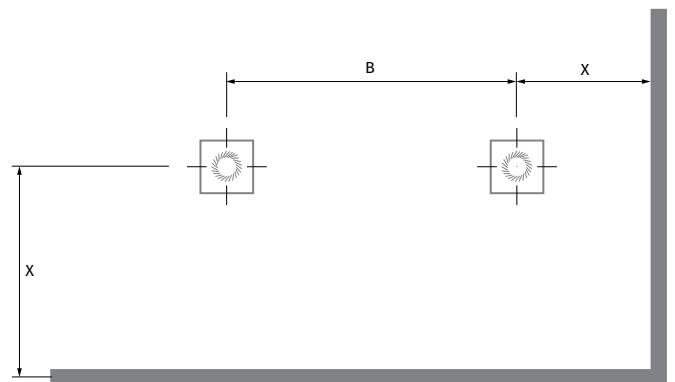
Overall Dimensions and Mounting



Front Face



Back Face



B – Distance between diffuser axes (in/m)
X – Distance between diffuser axis and wall (in/m)