

Iso-Mix

Sound insulated inline mixed flow fans

Use

- Supply and extract ventilation systems installed in various premises requiring low noise level.
- For ventilation air ducts requiring high pressure, powerful air flow and low noise level.
- Compatible with Ø 150 up to Ø 315 mm air ducts.



Air flow:
up to 1920 m³/h
533 l/s



Power:
from 45 W



Noise level:
from 38 dBA



Design

- The casing is made of polymer coated steel, internally filled with 50 mm mineral wool thermal- and sound-insulating layer.
- Special inner perforation of the casing and sound insulating material are designed for wide frequency sound absorbing.
- Mixed flow impeller made of high quality plastic.
- The diffusor, the specially profiled impeller and directing vanes provide high performance and powerful pressure combined with low noise operation.
- External airtight terminal block on the fan casing for power supply.
- Mounting brackets on the fan casing for mounting to the floor, to the wall or ceiling.

Motor

- 220-240 V single phase at 50 Hz.
- All motors have a sealed ball bearing motor with a service life of up to 40 000 hours, are 2 speed with an exterior two speed switch and can be fitted with a speed controller.
- All motors have manual reset thermal overload protection as required for inline duct fans AS/NZS60335-2-80:2004.

Wiring

- All fans come standard with a 1.2 m lead, 2 pin plug and external two speed switching.

Mounting

- Due to its compact design the fan is the ideal solution for mounting in limited spaces.
- The fan is suitable for mounting in any section of the ventilation system from intake to the end of the ductwork.

Ordering Information

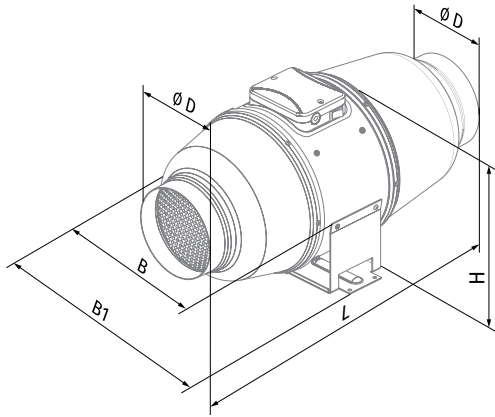
Part Number	Model	Description
BLATURBO150MIX	Iso-Mix 150	MIXFLO 150 mm 2 SPEED FAN – SILENT SERIES
BLATURBO200MIX	Iso-Mix 200	MIXFLO 200 mm 2 SPEED FAN – SILENT SERIES
BLATURBO250MIX	Iso-Mix 250	MIXFLO 250 mm 2 SPEED FAN – SILENT SERIES
BLATURBO315MIX	Iso-Mix 315	MIXFLO 315 mm 2 SPEED FAN – SILENT SERIES

Accessories

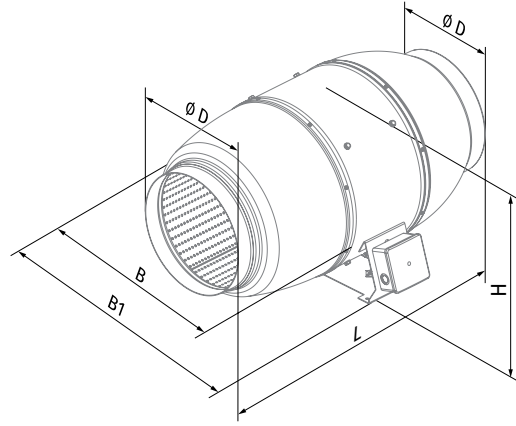
Filter box	Speed controller	Grilles and cowls	Ducting	Low profile ducting	Backdraft damper	Fire damper

Overall Dimensions [mm]

Type	Ø D	B	B1	L	H	Weight [kg]
Iso-Mix 150	148	247	273	579	263	6.1
Iso-Mix 200	198	293	386	550	295	8
Iso-Mix 250	248	358	445	658	360	15
Iso-Mix 315	313	432	520	780	434	25



Iso-Mix 150



Iso-Mix 200 / Iso-Mix 250 / Iso-Mix 315

Technical Data

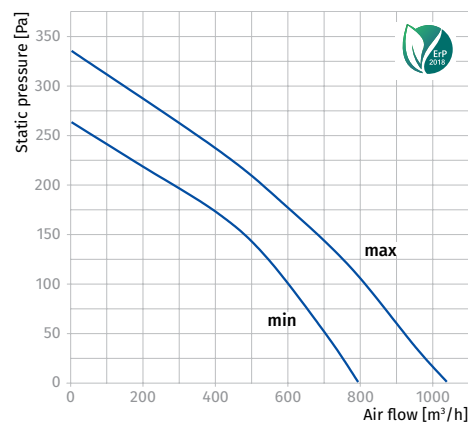
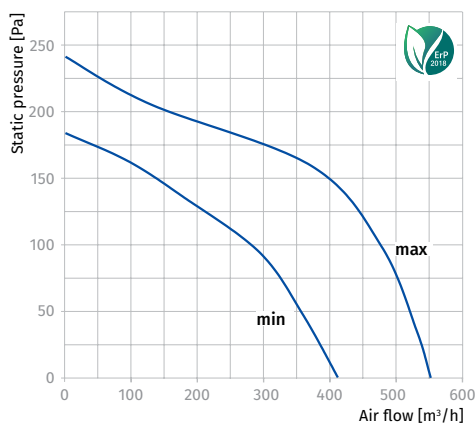
Parameters	Iso-Mix 150		Iso-Mix 200	
	min	max	min	max
Speed				
Voltage [V]	1 ~ 230		1 ~ 230	
Frequency [Hz]	50/60		50/60	
Power [W]	45	52	78	110
Current [A]	0.20	0.23	0.35	0.49
Maximum air flow [m ³ /h (l/s)]	410 (114)	550 (153)	790 (219)	1035 (288)
RPM [min ⁻¹]	1985	2640	2000	2460
Sound pressure at 3 m [dBA]	32	38	39	41
Max. transported air temperature [°C]	+60		+60	
SEC class	C		C	
IP rating	IPX4		IPX4	
Motor IP rating	IP44		IP44	
ErP	2018		2018	

ISO-MIX 150

Sound power level, A-weighted	Total	Octave frequency bands [Hz]								LpA 3 m	LpA 1 m
		63	125	250	500	1000	2000	4000	8000		
Min speed											
LWA to inlet [dBA]	53	27	34	42	47	47	48	42	33	32	48
LWA to outlet [dBA]	61	35	40	44	60	52	44	44	29	40	50
LWA to environment [dBA]	47	37	40	41	40	38	29	22	19	26	36
Max speed											
LWA to inlet [dBA]	59	31	38	48	53	53	54	47	37	41	53
LWA to outlet [dBA]	64	37	42	46	64	56	46	46	30	44	54
LWA to environment [dBA]	53	44	47	48	47	45	34	26	23	33	43

ISO-MIX 200

Sound power level, A-weighted	Total	Octave frequency bands [Hz]								LpA 3 m	LpA 1 m
		63	125	250	500	1000	2000	4000	8000		
Min speed											
LWA to inlet [dBA]	59	31	38	48	54	54	54	48	37	39	51
LWA to outlet [dBA]	61	42	45	52	55	57	52	45	35	40	50
LWA to environment [dBA]	51	40	46	46	44	41	37	35	30	31	41
Max speed											
LWA to inlet [dBA]	61	32	40	50	55	56	56	49	38	41	54
LWA to outlet [dBA]	66	38	44	48	66	57	48	48	31	46	56
LWA to environment [dBA]	57	44	52	52	49	45	41	39	34	36	46



Parameters	Iso-Mix 250		Iso-Mix 315	
	min	max	min	max
Speed				
Voltage [V]	1 ~ 230		1 ~ 230	
Frequency [Hz]	50/60		50/60	
Power [W]	127	178	230	330
Current [A]	0.52	0.79	0.93	1.41
Maximum air flow [m³/h (l/s)]	1035 (288)	1315 (365)	1510 (419)	1920 (533)
RPM [min ⁻¹]	1960	2460	2120	2620
Sound pressure at 3 m [dBA]	41	46	42	48
Max. transported air temperature [°C]	+60		+60	
SEC class	-		-	
IP rating	IPX4		IPX4	
Motor IP rating	IP44		IP44	
ErP	2018		2018	

ISO-MIX 250

Sound power level, A-weighted	Total	Octave frequency bands [Hz]								LpA 3 m	LpA 1 m
		63	125	250	500	1000	2000	4000	8000		
Min speed											
LWA to inlet [dBA]	61	32	40	50	55	56	56	49	38	41	55
LWA to outlet [dBA]	64	37	42	46	63	55	46	46	30	43	53
LWA to environment [dBA]	55	44	48	51	47	44	37	31	25	34	44
Max speed											
LWA to inlet [dBA]	67	35	44	55	61	61	62	54	42	46	59
LWA to outlet [dBA]	75	43	50	54	74	65	54	54	36	54	64
LWA to environment [dBA]	58	47	49	53	53	49	44	39	31	38	48

ISO-MIX 315

Sound power level, A-weighted	Total	Octave frequency bands [Hz]								LpA 3 m	LpA 1 m
		63	125	250	500	1000	2000	4000	8000		
Min speed											
LWA to inlet [dBA]	63	33	41	51	57	57	57	50	39	42	56
LWA to outlet [dBA]	71	50	54	62	66	67	62	54	42	51	61
LWA to environment [dBA]	56	47	47	52	50	45	41	37	29	36	46
Max speed											
LWA to inlet [dBA]	68	36	45	56	63	63	63	55	43	48	59
LWA to outlet [dBA]	75	53	56	66	69	71	66	56	44	54	64
LWA to environment [dBA]	60	51	52	54	55	50	46	43	35	40	50

