

Ducto

Inline fans

Use

- Low noise axial inline fans for exhaust or supply ventilation with superior capacity up to 340 m³/h.
- Designed for PVC ducting systems or flexible ducts.
- From low to medium air flow motion for short distances at low air resistance.
- Compatible with Ø 100, 125 and 150 mm air ducts.



Air flow:
up to 340 m³/h
94 l/s



Power:
from 7.5 W



Noise level:
from 25 dBA



Design

- The casing and the impeller are made of high quality durable plastic.
- Specially designed mixed flow impeller profile ensures high air flow and low noise level.
- Low energy usage from 7.5 W.
- The models of Blauberg Ducto Series are equipped with a single-phase motor.
- The motor has thermal overheating protection for motor overload prevention.
- Motor on special anti-vibration connectors.

Control

- Manual speed control with a room light switch. It is not included in the delivery package.
- Smooth speed control with a thyristor speed controller (see Accessories).
- Several fans may be connected to the same controller. The models with timer are not compatible with a speed controller.

Wiring

- Comes with a 1.2 m lead, 2 pin plug.

Overall Dimensions and Mounting

- The fan is mounted into a matching duct size. Fastening with clamps in case of flexible duct connection.
- The mounting bracket enables installation of the fan on horizontal and vertical flat surfaces.
- Two fans can be installed in series for higher operation pressure.

Ducto Kit

- The Ducto loft mounted extractor fan kit is an all in one extraction system for exhaust ventilation of bathrooms, showers, wet rooms and other utility spaces.
- Consist: Ducto 150 fan, flexible air duct 10 m., internal round plastic grille, external square plastic grille, adhesive tape.



Ordering Information

Part Number	Model	Description
BLADUCTO100	Ducto 100	INLINE AXIAL FAN 100 mm
BLADUCTO125	Ducto 125	INLINE AXIAL FAN 125 mm
BLADUCTO150	Ducto 150	INLINE AXIAL FAN 150 mm
BLABDUCTOKIT	Ducto 150 Kit	INLINE AXIAL FAN 150 mm KIT

Designation key

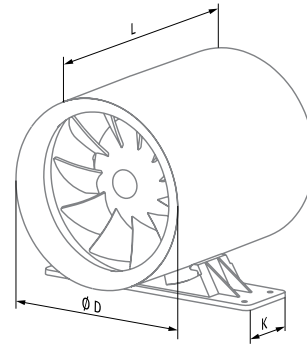
Series	Spigot diameter	Options
Ducto	100; 125; 150	W1

Accessories

Filter box	Speed controller	Grilles and cowls	Ducting	Low profile ducting	Backdraft damper	Fire damper

Overall Dimensions [mm]

Type	Ø D	L	K	Weight [kg]
Ducto 100	100	137.5	53.5	0.61
Ducto 125	125	161.5	53.5	0.75
Ducto 150	150	181.5	53.5	1.3



Technical Data

Model	Ducto 100	Ducto 125	Ducto 150
Voltage [V]	220-240	220-240	220-240
Frequency [Hz]	50	50	50
Power [W]	7.5	13	22
Current [A]	0.049	0.085	0.095
Air flow [m³/h (l/s)]	110 (31)	215 (60)	340 (94)
RPM [min⁻¹]	2100	2250	2250
Noise level [dBA]	25	33	39

